



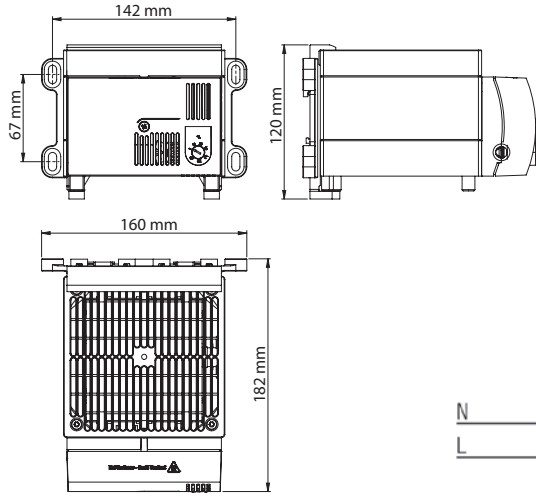
## Compact-high performance Fan Heater - 950W / 1200W

The compact high performance fan heater prevents formation of condensation and provides an evenly distributed interior air temperature in enclosures with electric/ electronic components. The plastic enclosure provides double insulation and acts as protection against contact. The fan heater is available with optional integrated thermostat for temperature control. The Fan Heater was designed as a stationary unit for wall fixing. For fixing on the bottom of the enclosure the fan heater is recommended.



### FEATURES

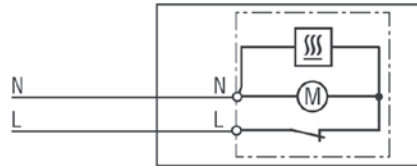
- Compact design
- High heating performance
- Double insulated
- Integrated thermostat (optional)
- Optional clip or screw fixing



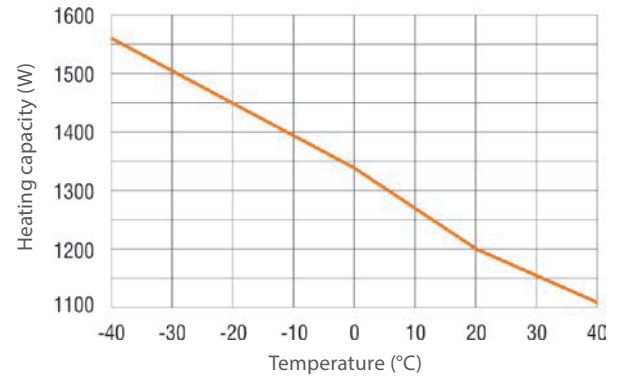
### TECHNICAL DATA

Heating element	PTC resistor self regulating and temperature limiting.
Temperature safety cut-out	To protect against overheating in case of fan failure
Axial fan, ball bearing	Airflow 160 m <sup>3</sup> /h, free flow, Service life 50,000h at +25 °C (+77 °F)
Connection	2-pole max. 2.5 mm <sup>2</sup> , clamping screw torque 0.8 Nm max.
Casing	Plastic according to UL94 V-0, Black
Mounting	Clip for 35 mm DIN rail, EN 60715
Fitting position	Horizontal
Dimensions	182 x 160 x 120 mm
Weight	Approx. 1.25 kg
Operating/Storage temperature	-45 to +70 °C (-49 to +158 °F)
Protection type/Protection class	IP20 / II (double insulated)

Connection diagram



Heating capacity / Ambient temperature diagram CS 130



For this product, please contact:

ERANOVA ENDÜSTRİ  
ve ELEKTRİK MALZEMELERİ LTD. ŞTİ.

Perpa Trade Center, B Block 11th Floor,  
No: 1643, Okmeydanı, Şişli / İstanbul - Turkey  
Tel. +90 (212) 265 02 93 - Fax +90 (212) 381 79 69  
satis@eranova.com.tr

Model	Operating voltage	Heating capacity	Inrush current max.	Setting range
Fan Heater with thermostat	AC 230 V, 50/60 Hz	1,200 W	13 A	0 to +60 °C
Fan Heater without thermostat	AC 230 V, 50/60 Hz	1,200 W	13 A	-
Fan Heater with thermostat	AC 120 V, 50/60 Hz	1,200 W	16 A	+32 to +140 °F
Fan Heater without thermostat	AC 120 V, 50/60 Hz	1,200 W	16 A	-

\* At +20 °C (+68 °F) ambient temperature